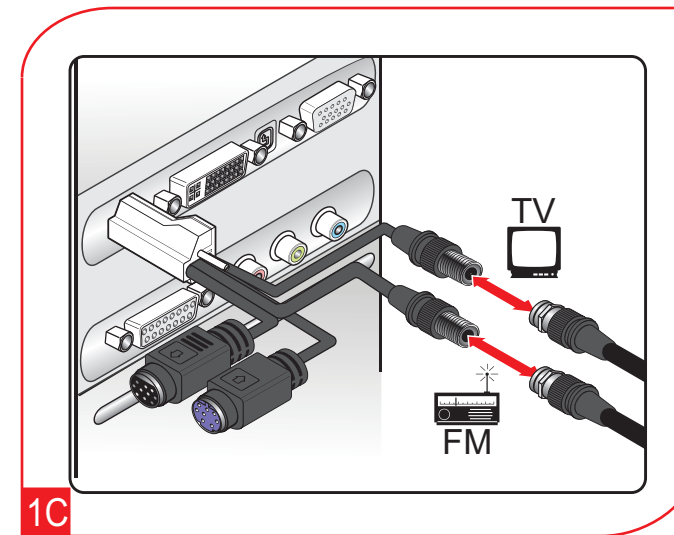
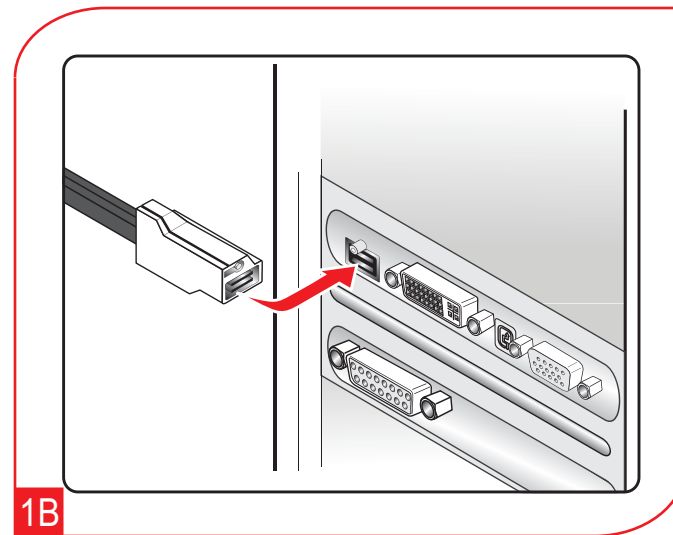
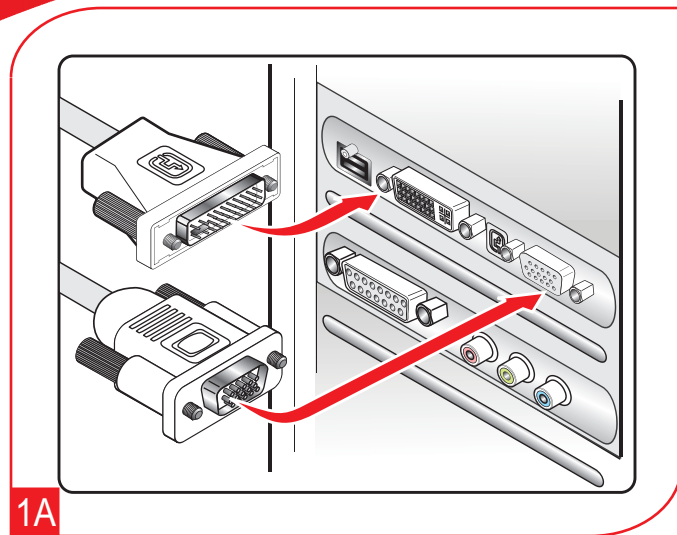
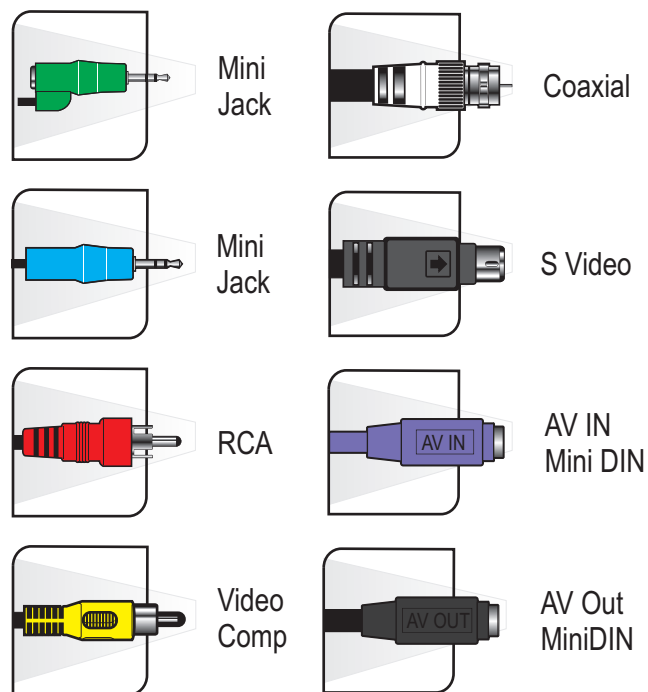
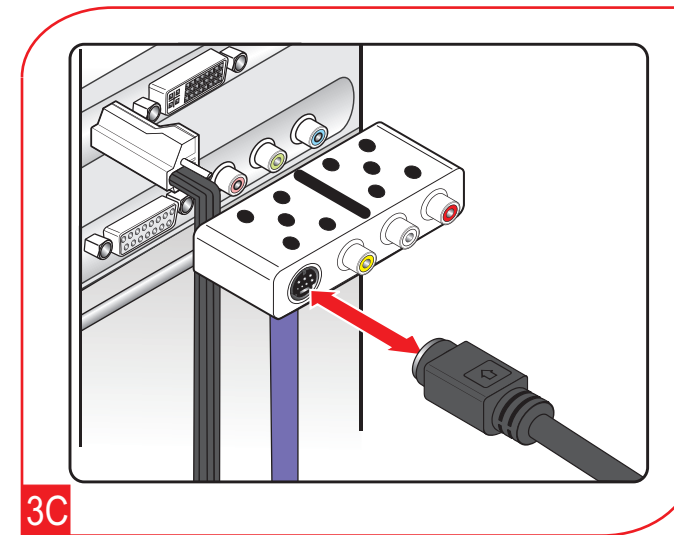
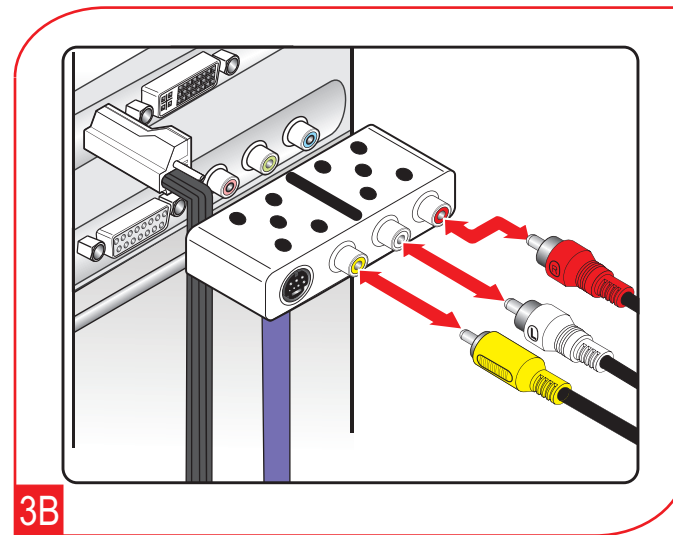
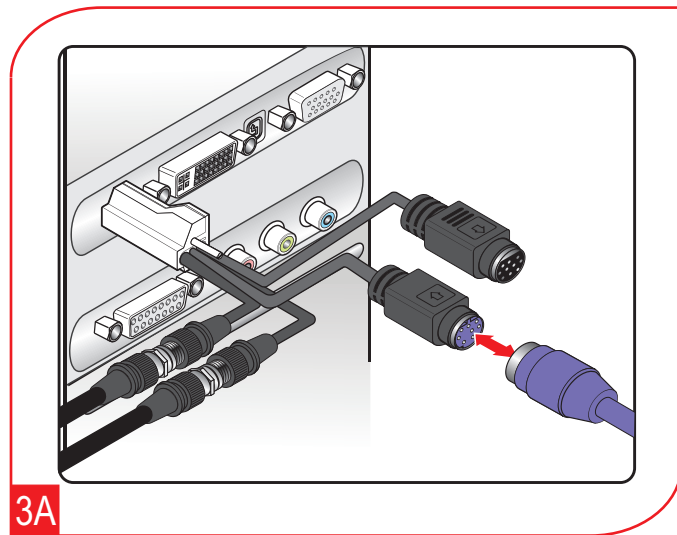
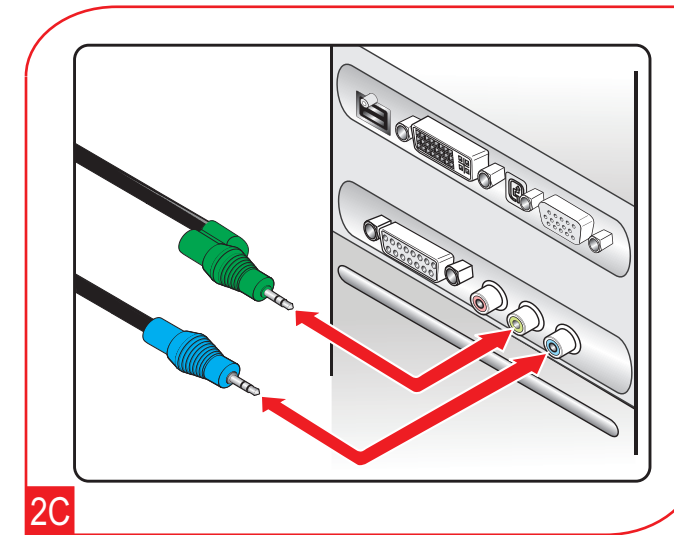
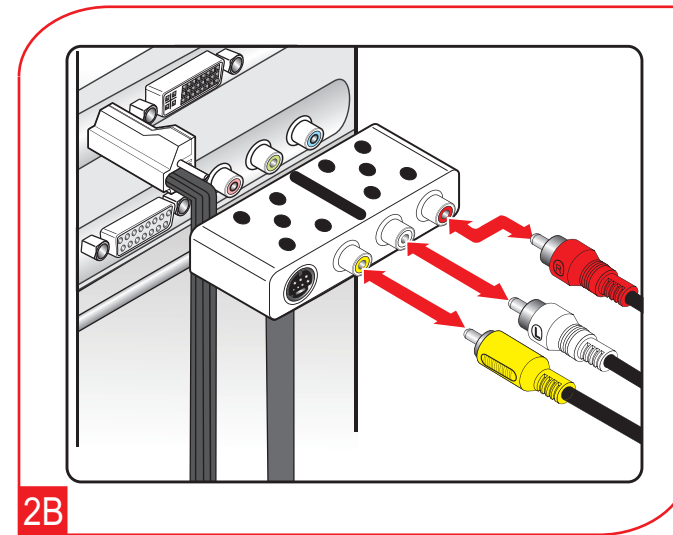
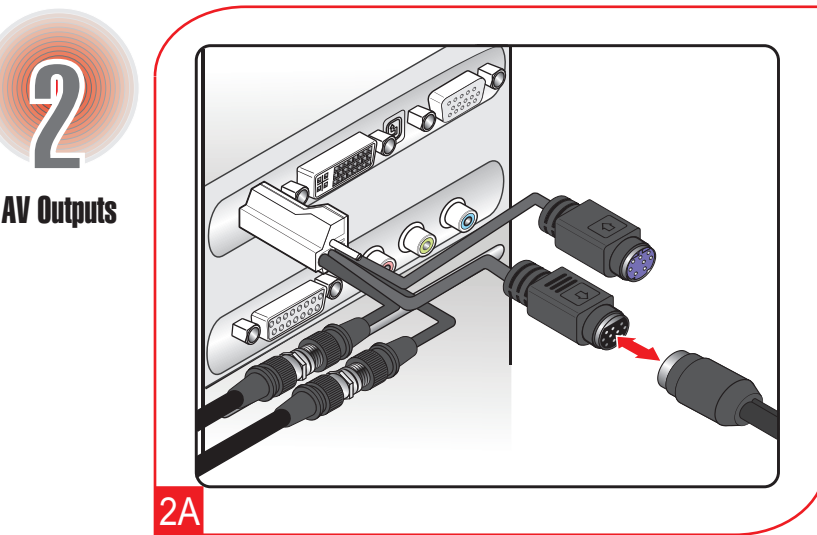


EASY 1 2 3 SETUP

ATI ALL-IN-WONDER[®] QUICK START GUIDE



1



3
AV Inputs

Copyright © 2004, ATI Technologies Inc. All rights reserved.
ATI and ATI product and product feature names are trademarks and/or registered trademarks of ATI Technologies Inc. All other company and/or product names are trademarks and/or registered trademarks of their respective owners. Features, performance and specifications are subject to change without notice. Product may not be exactly as shown in diagrams. Reproduction of this manual, or parts thereof, in any form, without the express written permission of ATI Technologies Inc. is strictly prohibited.
PN 5000027202
Printed in

